
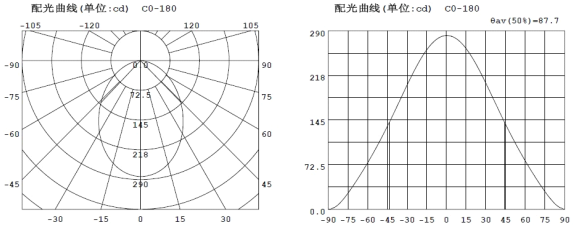
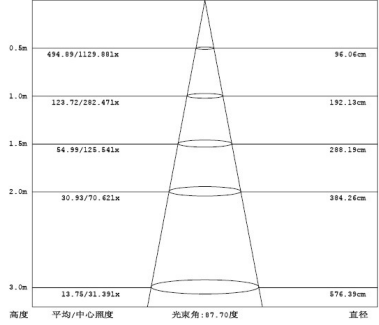
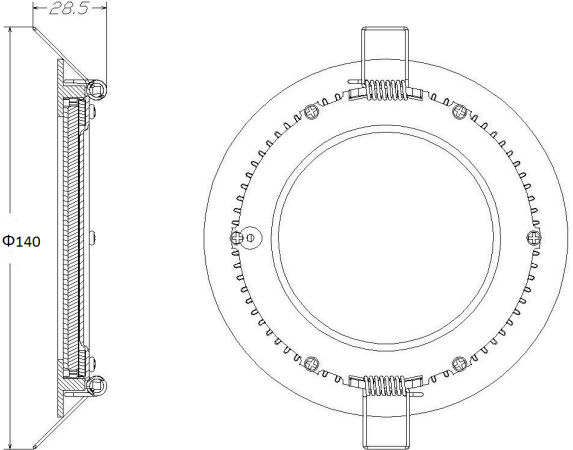


Specification

Product Name		LED Panel Light	Image	
Model No.		BM-RPL165-6W		
Optical characteristic	LED source	Epistar	Photometric data	
	LED type	SMD3528		
	CCT	6000-6500K		
	LED quantity	84PCS		
	Cover Type	PMMA		
	Luminous efficiency	80LM/W		
	Luminous Flux	480LM		
	CRI	Ra ≥ 75		
Beam angle	≥ 120°			
Electricity characteristic	Input voltage/Current	AC85V-277V/ 0.037A-0.121A	LUX	<p>有效平均照度图</p> 
	Frequency	50-60Hz		
	Output voltage	18-24V		
	Output current	250ma ± 3%		
	Power	6W		
	LED Power	5W		
	Power efficiency	≥ 85%		
	Power factor	>0.9		
Dimmable	Can choose TRIAC			
Other characteristic	Surface temperature	45°C	Structure	
	Operating temperature	-20°C -- +40°C		
	Installing method	Embedded, Ceiling and Suspended ceiling		
	Work humidity	5%-95%RH		
	Storage temperature	-30°C -- +65°C		
	Equivalent halogen bulb	12W		
	IP rate	IP64		
	LED lifespan	>40000h		
	Casing material	AL		
	Weight	250g		
	Size	φ 165* φ 150*H25mm		
	Opening Size	Φ 158mm		
	Box size	1pcs/box 220×220x55 mm		
Carton size	20pcs/carton 455×305×455mm			